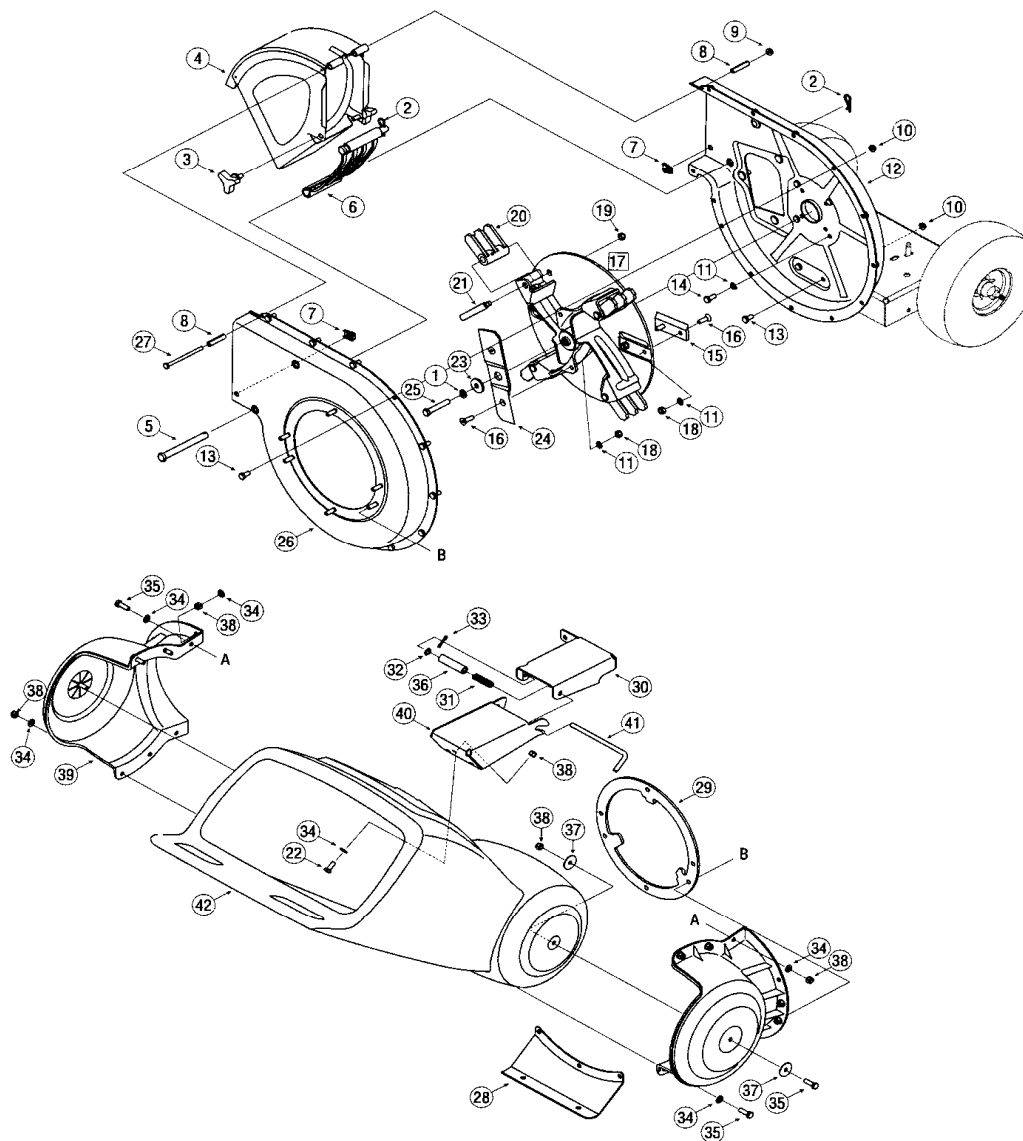


# HOPPER/IMPELLER

#	Part #	Description
1	936-0217	Lock washer, 3/8
2	914-0149B	Cotter pin
3	720-0170	Wing knob 5/16-18
4	681-0094	Chute deflector assembly
5	911-0835	Clevis pin
6	781-0457-0637	Shredder screen
7	926-0211	U-nut 5/16-18
8	950-0793	Spacer
9	912-3027	Hex lock nut, 1/4-20
10	712-3004A	Hex lock nut 5/16-18
11	936-0119	Lock washer 5/16
12	681-0117	Inner impeller housing assembly
13	710-3025	Hex cap screw 5/16-18 x .625
14	910-0157	Hex cap screw 5/16-24 x .75
15	981-0490	Chipper blade
16	710-1054	Hex cap screw 5/16-24 x 1.0
17	981-04096	Impeller assembly
18	912-0411	Hex lock nut 5/16-24
19	912-0266	Nut, jam lock, 3/8-16
20	719-04308	Flail blade
21	738-04286	Shoulder pin, .5 x 2.625
22	910-3008	Hex cap screw 5/16-18 x .75
23	936-0247	Flat washer 3/8 x 1.25
24	942-0571	Shredder blade
25	910-1254	Hex cap screw 3/8-24 x 2.25
26	681-0004A	Outer impeller housing assembly
27	710-0825	Hex cap screw 1/4-20 x 3.75
28	781-0515	Front support bracket
29	951-0574A	Shredder plate
30	681-0104	Rear hopper bracket assembly
31	932-0306A	Compression spring 1.75
32	936-0117	Flat washer
33	914-0104	Cotter pin
34	936-0264	Flat washer .330 id x .630 od
35	710-0376	Hex cap screw 5/16-18 x 1.0
36	748-0453	Spacer, .375 id x 1.25 od
37	736-0362	Flat washer .320 id x 1.25 od
38	912-0429	Hex lock nut 5/16-18
39	731-1710A	Hopper collar
40	681-0123	Front hopper bracket assembly
41	711-1128	Lock rod
42	731-1707	Hopper assembly
Not In Diaç	N/P	Engine model #150112-0532-e9



# FRAME/CHIPPER SHREDDER CHUTE

#	Part #	Description
1	728-0175	Pop rivet
2	753-05094	Chipper shredder chute
3	735-0249A	Chute flap
4	781-0633	Chute flap strip
5	681-0068A	Chipper chute assembly
6	710-0751	Hex cap screw 1/4-20 x .620
7	912-3027	Hex lock nut 1/4-20
8	STD522512	Hex cap screw 1/4-20 x 1.25
9	STD551025	Flat washer .28 id x .74 od
10	736-0242	Bell washer .340 id x .872 od
11	912-3010	Hex nut 5/16-18
12	749-1004	Support brace
13	712-3004A	Hex lock nut 5/16-18
14	710-0805	Hex cap screw 5/16-18 x 1.50
15	936-0170	Bell washer 5/16 x 1.0
16	736-0366	Flat washer
17	738-0813	Axle assembly
18	937-0195	Elbow fitting
19	734-1845	Wheel complete, 10.0 x 4.0 gray
20	726-0214	Push cap
21	681-0184A	Frame
22	936-0451	Washer .320 id x .93 od
23	710-0502A	Screw, 3/8-16 x 1.250
24	723-0400	Safety glasses (not shown)
25	964-04024	Chipper bag assembly (not shown)

